

Turbomix TBM

Stainless Steel Propeller - planetary Gear Compact Design

Field of Application

The submersible engine-driven agitators „Turbomix“ are best suitable to homogenise liquid manure, manure, slurry and biogas substrate.

Compact Design

Thanks to the compact and flow-enhancing design and to the use of planetary gears and four-pole engines, the machines are especially energy efficient. (The types 1.5/6 and 2.2/6 have direct drive).

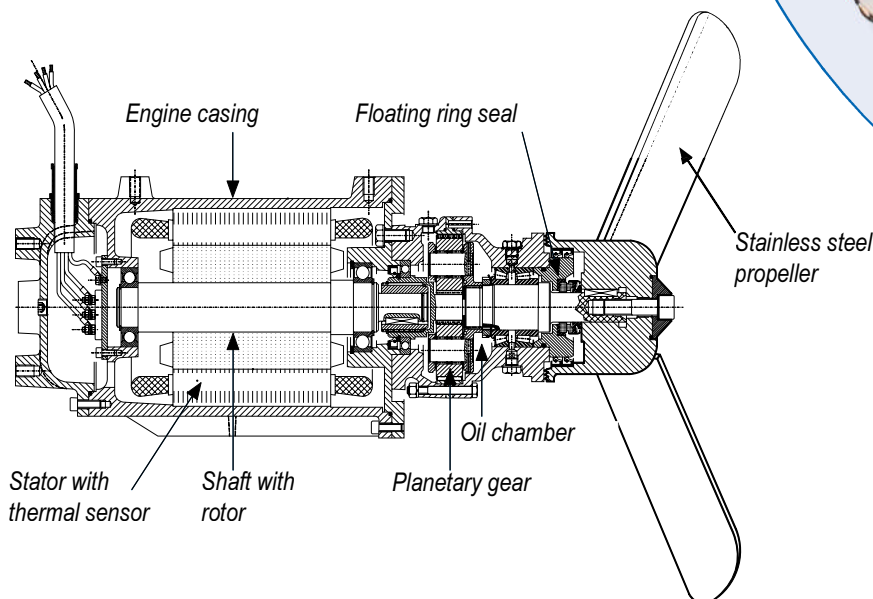
Stainless Steel Propeller

The use of stainless steel propellers with very thick blades and floating ring seals ensures a long life.

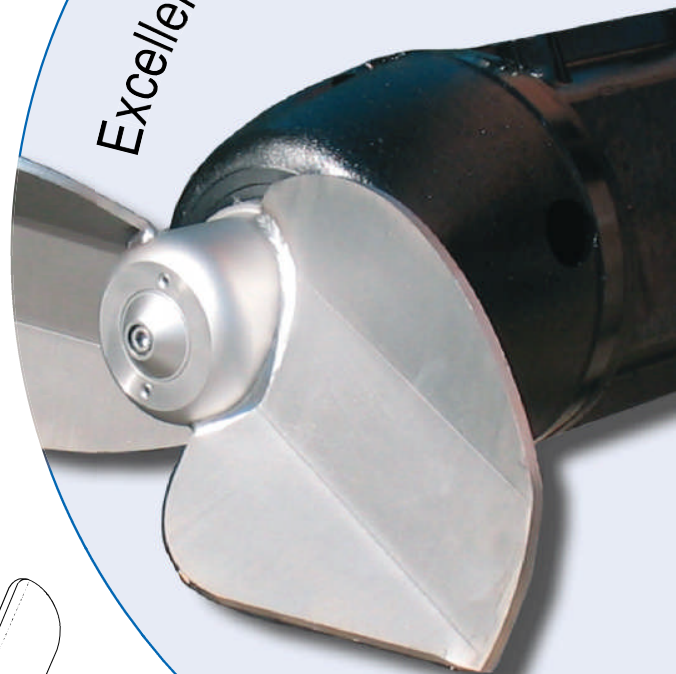
Thermal Sensor

The thermal sensors installed in the winding prevent the engine from being over-heated.

*Insulation class „F“, protection type „IP 68“
Submersion depth max. 20 m*



Excellent agitating performance!



Sprechen Sie uns an!
Wir beraten Sie gern.

Lothar Becker Agrartechnik GmbH
Engelader Straße 5
D-38723 Seesen

Telefon: + 49 (0) 5381 94220-0
Fax: + 49 (0) 5381 94220-99
E-Mail: info@becker-seesen.de
Internet: www.becker-seesen.de



Turbomix TBM Technical Data

Your Benefit

Complete homogenisation of the liquid manure after the storage period. Quick agitation of the sinking and floating layers for liquid manure from hog, cattle and chickens.

A homogeneous liquid manure is necessary for an exact distribution and an optimal manure effect. The unit is running at low noise and can be operated without supervision. As it works in submerged position, only few emission is generated during agitation.

If the supporting structures shown in the figure are used, it is possible to set the „Turbomix“ according to the filling level of the silo, the storage pit or the digester and to adjust the flow direction of the propeller optimally, too.

The agitators are characterised by optimal adjustment possibilities and low own electricity consumption in the biogas plant.

An optimal use of the digestion tank is possible as dead zones and precipitations are avoided.

Efficiency / Operating Costs

Thanks to the flow-enhancing design and the use of planetary gears, the „Turbomix“ agitators are very energy efficient. With an electricity tariff of 12 cents per kilowatt hour, the operation of a 7.5 kW mixer only costs 0.90 € per hour.

Scope of Supply

„Turbomix“ with 8 m cable. Installation kits for high-level tanks with platform, biogas digester or storage pit are available. The accessories are compiled according to the installation situation and your requirements. A transport car for a mobile use is also available on request.

Assembly

Easy and quick assembly, even in filled tanks.

Maintenance

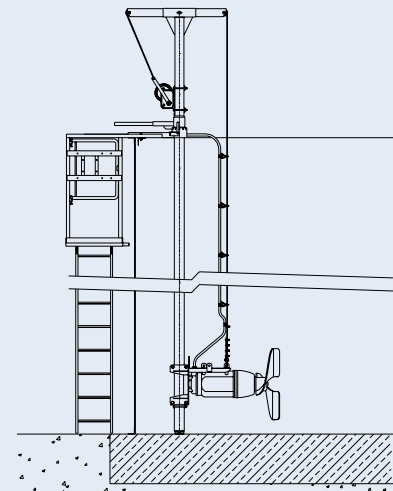
The maintenance is limited to visual inspection and oil change depending on the operating hours.

Engine data / 50 HZ - 400 V ± 10 %

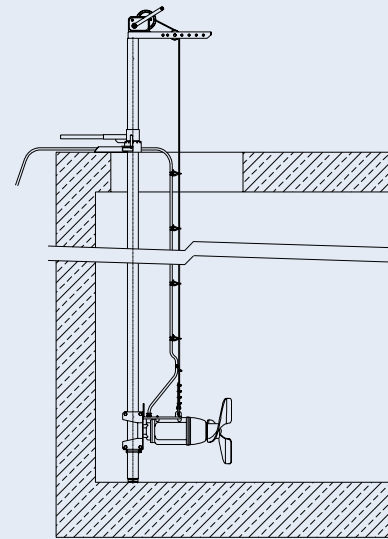
All power data refer to pure water.

TBM TYPE	Engine power (kW)	Voltage (V)	Input (A) (400 V)	Motor cable		Start		Characteristics submersible agitator					
				No. of conductors per cross-section /mm ²	Cable length (m)	Direct	Δ	Propeller speed R.P.M. π	Planetary gear	Capacity m ³ /h	Axle length thrust N.	Propeller diameter mm	
TBM 1.5 / 6	1.5	230	4.2	9x1.5	8	Δ	Δ	925		î î H	191	ø 297	
TBM 2.2 / 6	2.2	-400	5.9					Δ	940		î î î	283	ø 347
TBM 2.2 / 4	2.2		5.3					Δ	323	☑	F H H	404	ø 445
TBM 3 / 4	3.0		6.8					Δ	☑	F î F	498	ø 460	
TBM 4 / 4	4.0	400	9.1	9x2.5	Δ	Δ	320	☑	G F î	742	ø 515		
TBM 5.5 / 4 N	5.5		12.5				Δ	☑	G U F	800	ø 535		
TBM 7.5 / 4 N	7.5		15.8				Δ	☑	H G î	1131	ø 585		
TBM 9 / 4 N	9.0		19.0				Δ	☑	H î G	1265	ø 595		
TBM 11 / 4 N	11.0	-690	23.5	9x4	Δ	Δ	351	☑	H î î	1475	ø 600		
TBM 15 / 4 N	15.0		30.0				Δ	☑	î H î	2859	ø 720		
TBM 18.5 / 4 N	18.5		36.0				Δ	☑	î î î	3725	ø 780		

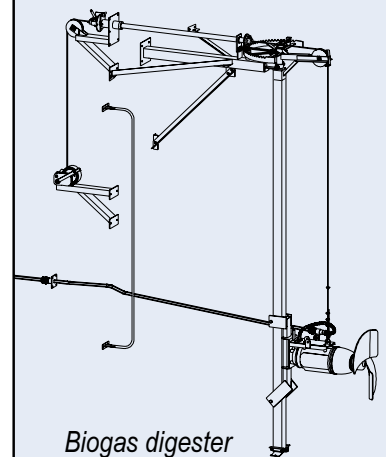
Errors, technical changes and misprints reserved.



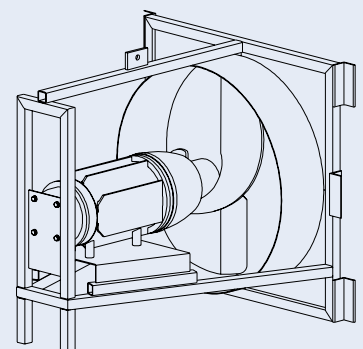
Assembly in slurry silos



Assembly in storage pits



Biogas digester



Slalom system